

Evidenční číslo:.....

1 1.1 Uvedte celý postup řešení

$$0,5 - \left(\frac{4}{5} + \frac{11}{5}\right) : \left(\frac{1}{4} - \frac{9}{4}\right) = 0,5 - \frac{15}{5} : \left(-\frac{8}{4}\right) = 0,5 + 3 : 2 = \frac{1}{2} + \frac{3}{2} = 2$$

1.2 Uvedte celý postup řešení

$$-\frac{3}{4} \cdot \frac{9}{5} \cdot \frac{20}{1} = -\frac{3}{1} \cdot \frac{9}{1} \cdot \frac{1}{1} = -27$$

2 2.1

22

2.2

74

3 3.1 Uvedte celý postup řešení

$$\frac{-\frac{6}{5} + \frac{12}{5}}{-\frac{5}{4} \left(\frac{1}{5} \cdot \frac{11}{3} + 1 \cdot \frac{7}{15}\right)} = \frac{\frac{6}{5}}{-\frac{5}{4} \left(\frac{11}{15} + \frac{7}{15}\right)} = \frac{\frac{6}{5}}{-\frac{5}{4} \cdot \frac{18}{15}} = \frac{\frac{6}{5}}{-\frac{1}{2} \cdot \frac{3}{1}} = \frac{\frac{6}{5}}{-\frac{3}{2}} = \frac{6}{5} \cdot \left(-\frac{2}{3}\right) = -\frac{2}{5} \cdot \frac{2}{1} = -\frac{4}{5}$$

3.2 Uvedte celý postup řešení

$$\frac{\frac{12}{11} - \frac{1}{11} \cdot \left(\frac{1}{4} + \frac{3}{4}\right)}{\frac{5}{8}} = \frac{\frac{12}{11} - \frac{1}{11} \cdot 1}{\frac{5}{8}} = \frac{\frac{11}{11}}{\frac{5}{8}} = 1 : \frac{5}{8} = 1 \cdot \frac{8}{5} = \frac{8}{5}$$

4 Uvedte celý postup řešení

$$996 - \frac{996}{3} = 996 - 332 = 664$$

5 5.1

33

5.2

6 : 7

6 6.1

63 cm^2

6.2

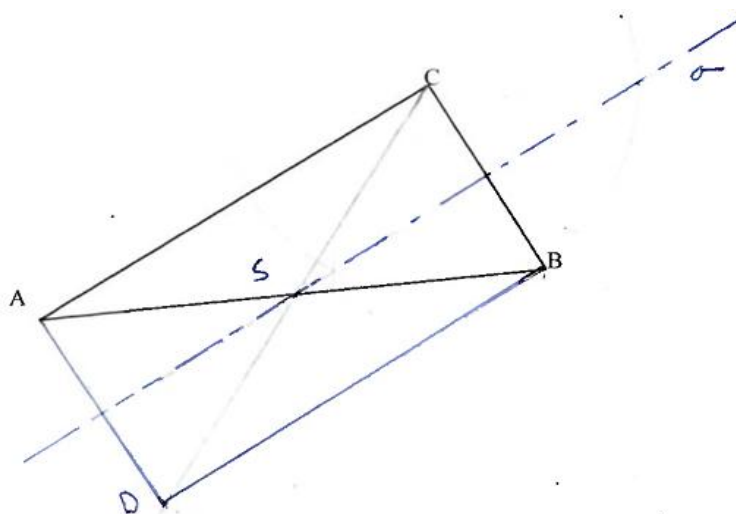
126 cm^2

7

$V = 81 \text{ cm}^3$

$S = 117 \text{ cm}^2$

8



MATEMATIKA 7

DIDAKTICKÝ TEST – ZÁZNAMOVÝ ARCH STRANA 3 / 3

Evidenční číslo:.....

9	A	N
9.1	<input type="checkbox"/>	<input checked="" type="checkbox"/>
9.2	<input checked="" type="checkbox"/>	<input type="checkbox"/>
9.3	<input type="checkbox"/>	<input checked="" type="checkbox"/>

	A	B	C	D	E
10	<input checked="" type="checkbox"/>	<input type="checkbox"/>	<input type="checkbox"/>	<input type="checkbox"/>	<input type="checkbox"/>
11	<input checked="" type="checkbox"/>	<input type="checkbox"/>	<input type="checkbox"/>	<input type="checkbox"/>	<input type="checkbox"/>
12	<input type="checkbox"/>	<input type="checkbox"/>	<input type="checkbox"/>	<input checked="" type="checkbox"/>	<input type="checkbox"/>
13	<input type="checkbox"/>	<input type="checkbox"/>	<input type="checkbox"/>	<input checked="" type="checkbox"/>	<input type="checkbox"/>
14	<input type="checkbox"/>	<input type="checkbox"/>	<input type="checkbox"/>	<input checked="" type="checkbox"/>	<input type="checkbox"/>
15	<input type="checkbox"/>	<input type="checkbox"/>	<input checked="" type="checkbox"/>	<input type="checkbox"/>	<input type="checkbox"/>

16

16.1

14

16.2

$\frac{1}{3}$

17

	A	B	C	D	E	F
17.1	<input type="checkbox"/>	<input type="checkbox"/>	<input type="checkbox"/>	<input type="checkbox"/>	<input checked="" type="checkbox"/>	<input type="checkbox"/>
17.2	<input type="checkbox"/>	<input type="checkbox"/>	<input type="checkbox"/>	<input checked="" type="checkbox"/>	<input type="checkbox"/>	<input type="checkbox"/>
17.3	<input checked="" type="checkbox"/>	<input type="checkbox"/>	<input type="checkbox"/>	<input type="checkbox"/>	<input type="checkbox"/>	<input type="checkbox"/>